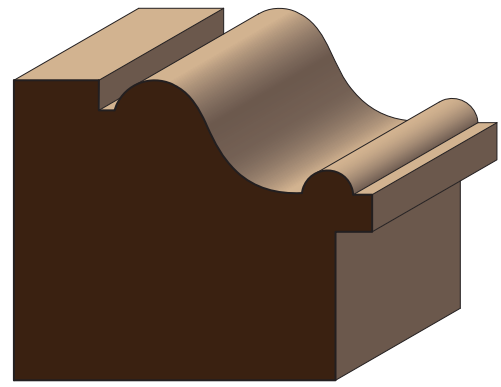
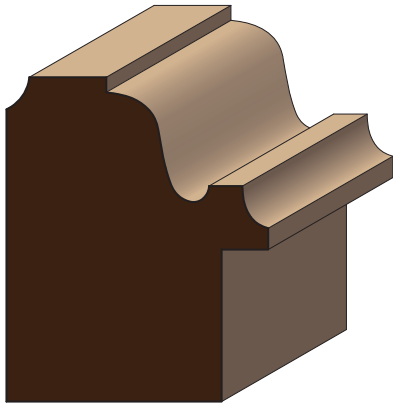


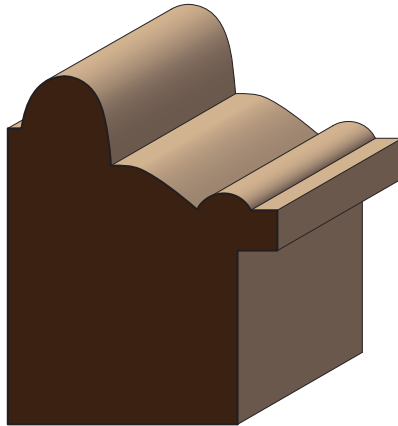
BB 169  $1\frac{1}{2} \times 2\frac{1}{8}$   
French Mid 19<sup>th</sup> Century



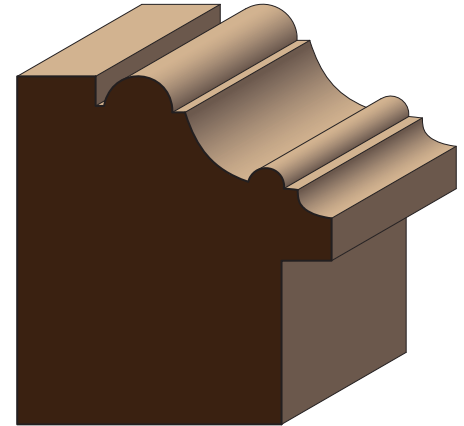
BB 437  $1\frac{9}{16} \times 1\frac{7}{8}$



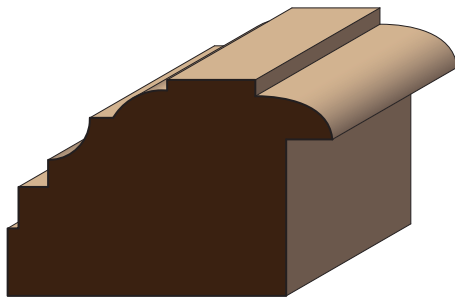
BB 259  $1\frac{11}{16} \times 1\frac{3}{8}$   
American Victorian



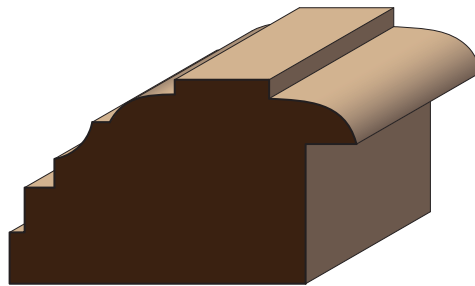
BB 488  $1\frac{13}{16} \times 1\frac{3}{8}$   
American Late 19<sup>th</sup> Century



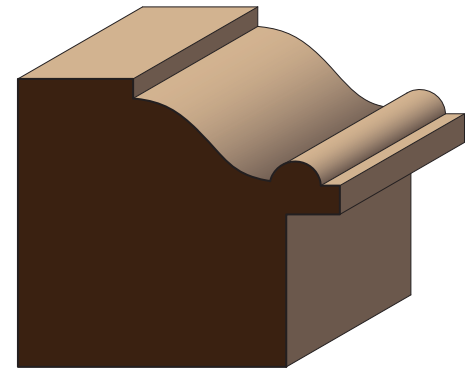
BB 552  $1\frac{13}{16} \times 1\frac{5}{8}$



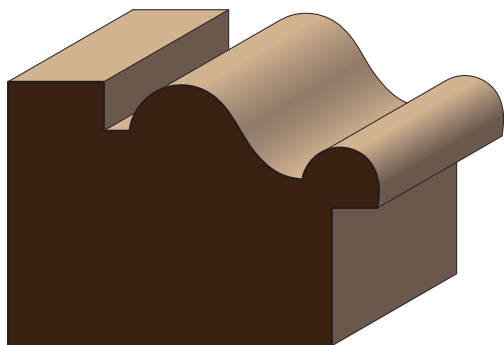
BB 682  $1\frac{1}{8} \times 1\frac{11}{16}$   
American Victorian



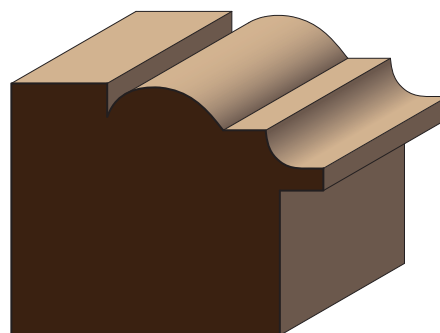
BB 681  $1\frac{1}{16} \times 1\frac{13}{16}$   
American Victorian



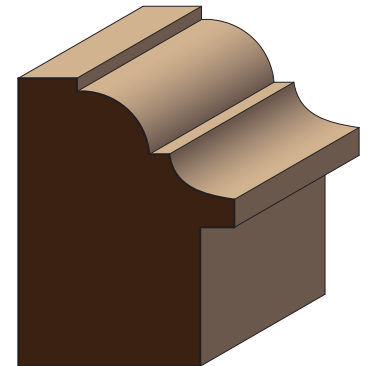
BB 773  $1\frac{1}{2} \times 1\frac{5}{8}$   
American Late 19<sup>th</sup> Century



BB 499  $1\frac{3}{8} \times 1\frac{15}{16}$   
American Victorian



BB 589  $1\frac{5}{16} \times 1\frac{5}{8}$



BB 734  $1\frac{1}{2} \times 1\frac{1}{8}$