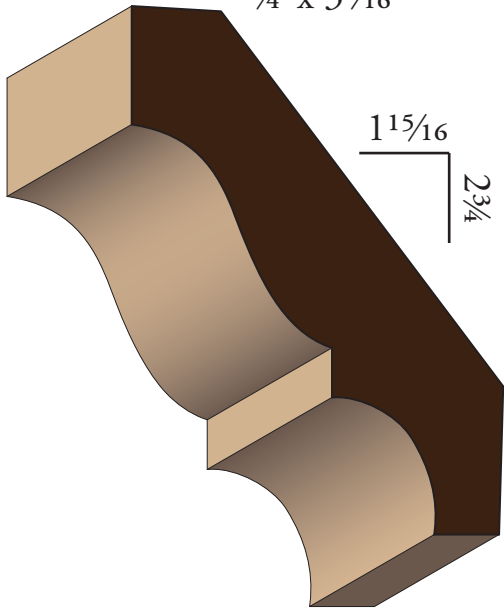
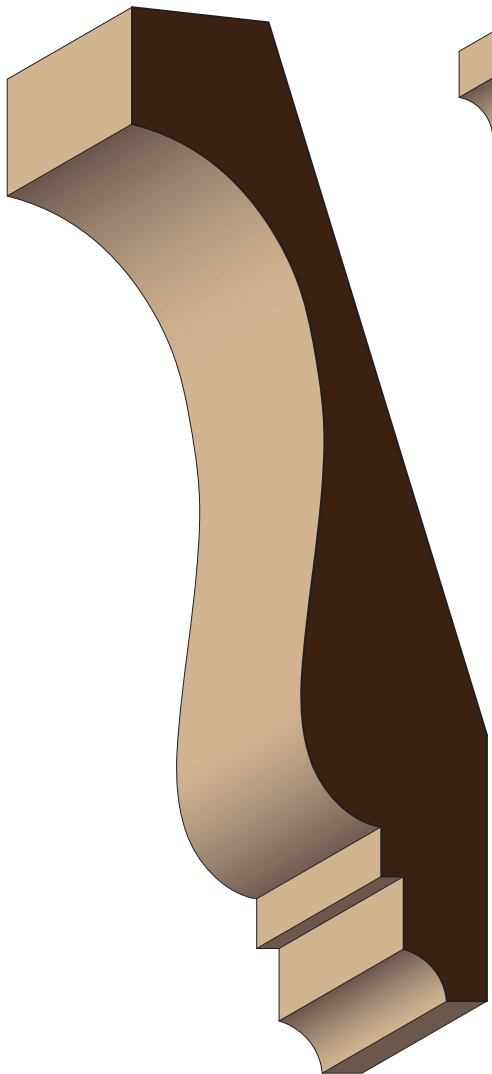
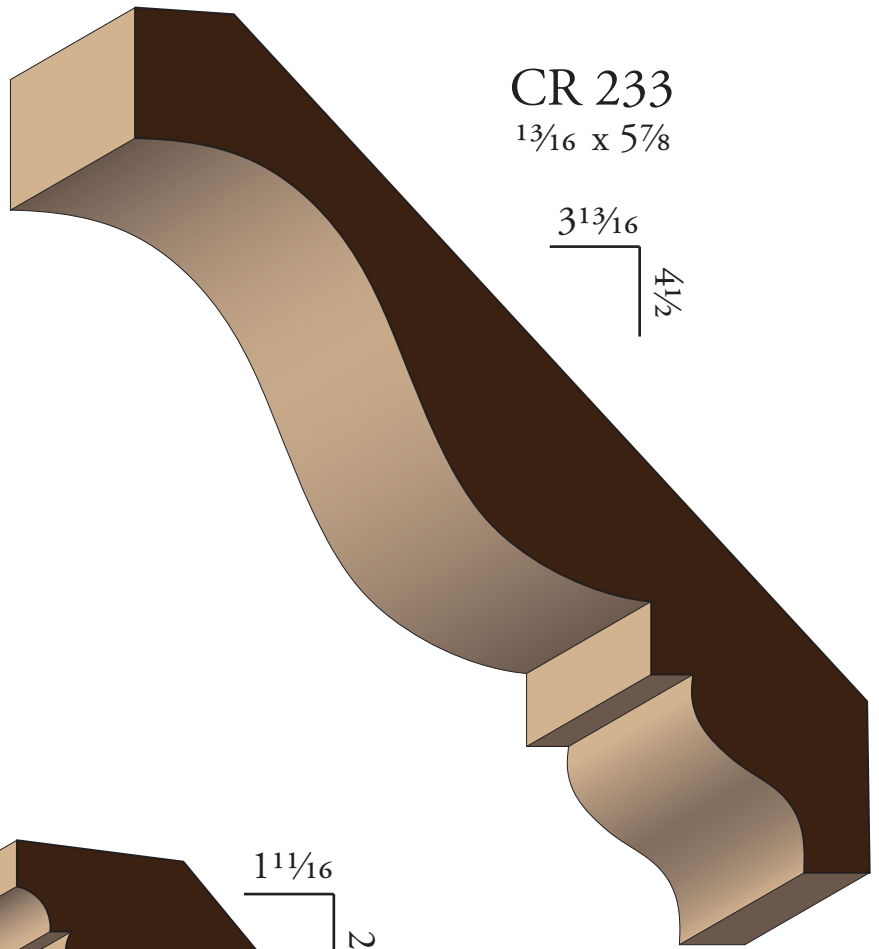


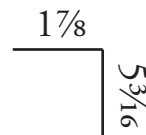
CR 261
 $\frac{3}{4} \times 3\frac{5}{16}$



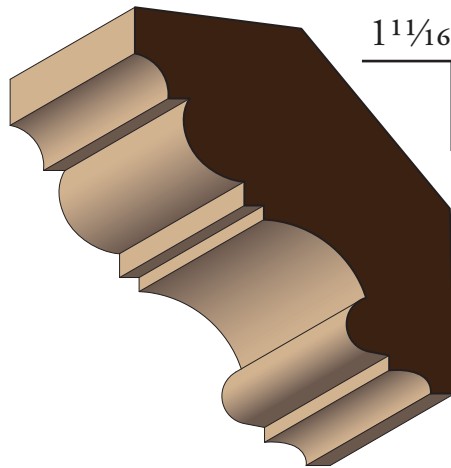
CR 233
 $1\frac{3}{16} \times 5\frac{7}{8}$



CR 252
 $\frac{7}{8} \times 5\frac{1}{2}$

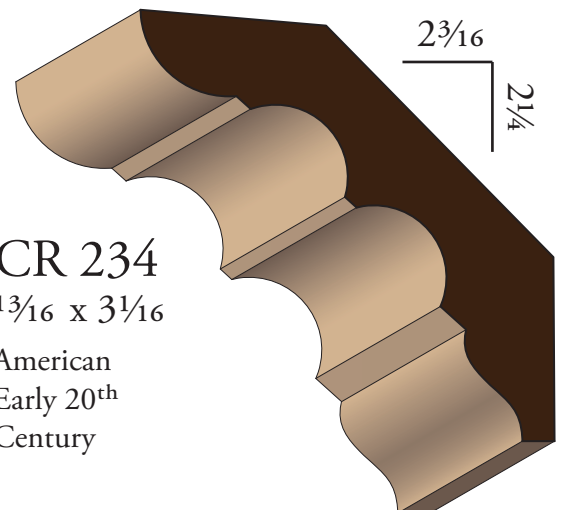


American
Late 19th
Century



CR 246
 $1\frac{3}{16} \times 2\frac{9}{16}$

American
Late 19th
Century



CR 234
 $1\frac{3}{16} \times 3\frac{1}{16}$

American
Early 20th
Century