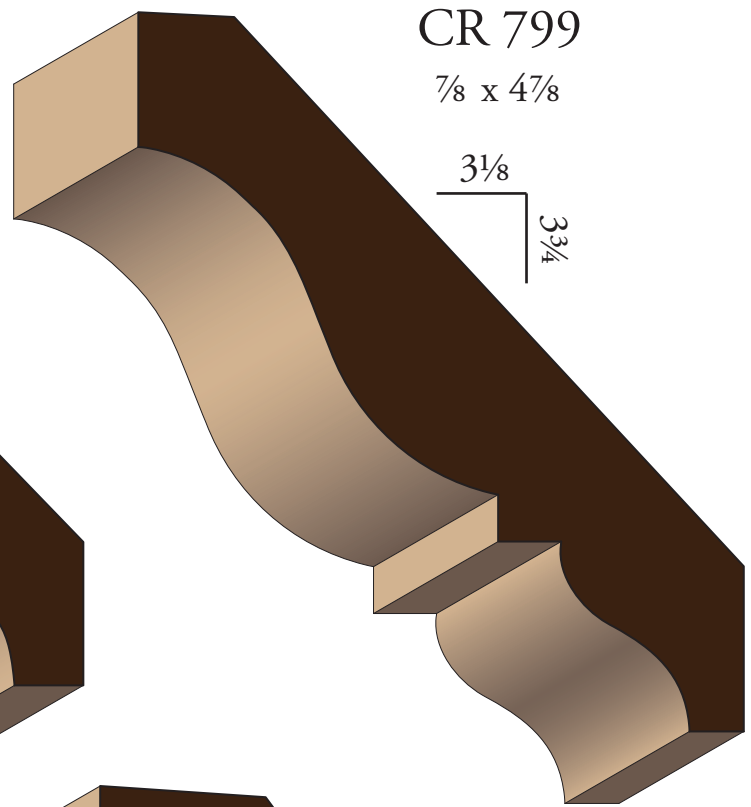


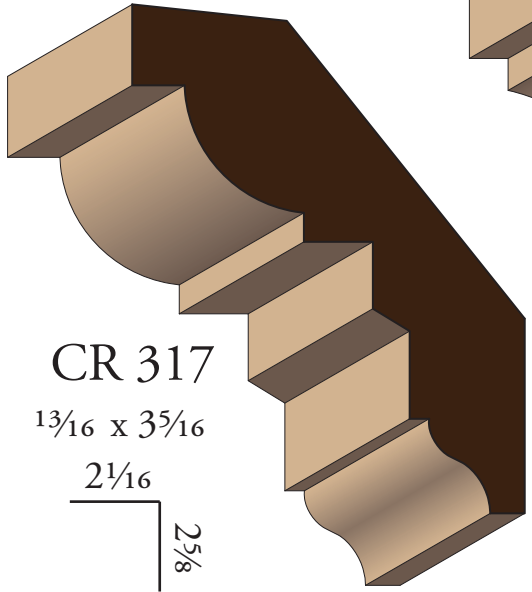
CR 768
 $\frac{3}{4} \times 4\frac{15}{16}$

$3\frac{1}{2}$
 $3\frac{1}{2}$



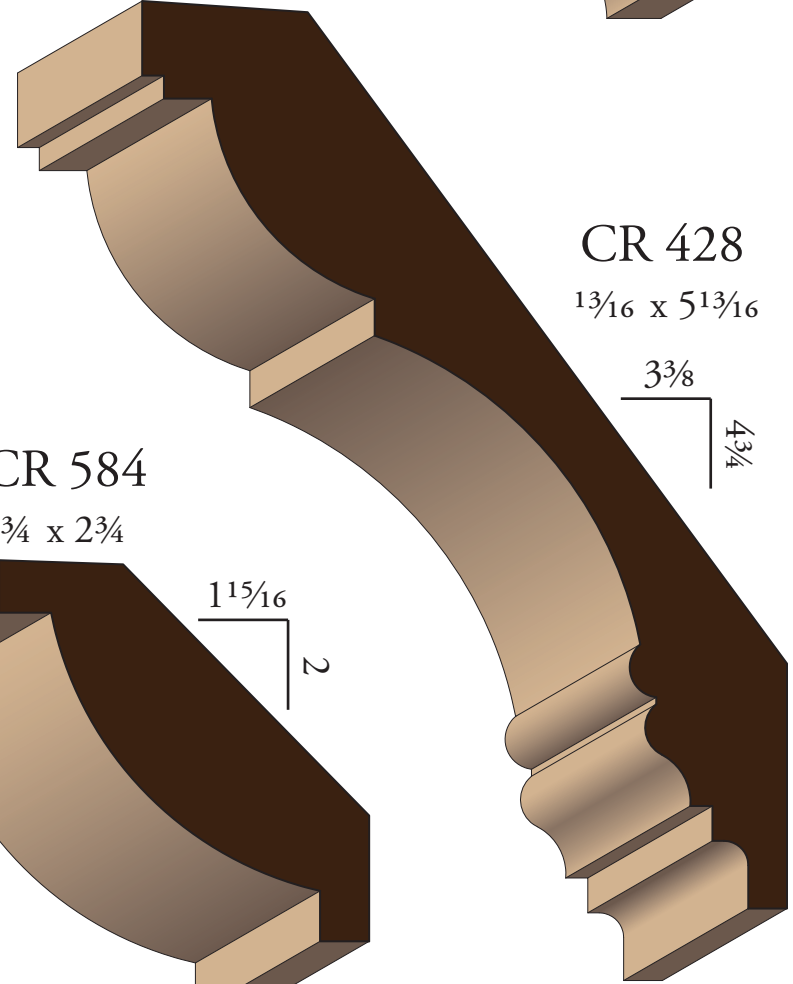
CR 799
 $\frac{7}{8} \times 4\frac{7}{8}$

$3\frac{1}{8}$
 $3\frac{3}{4}$



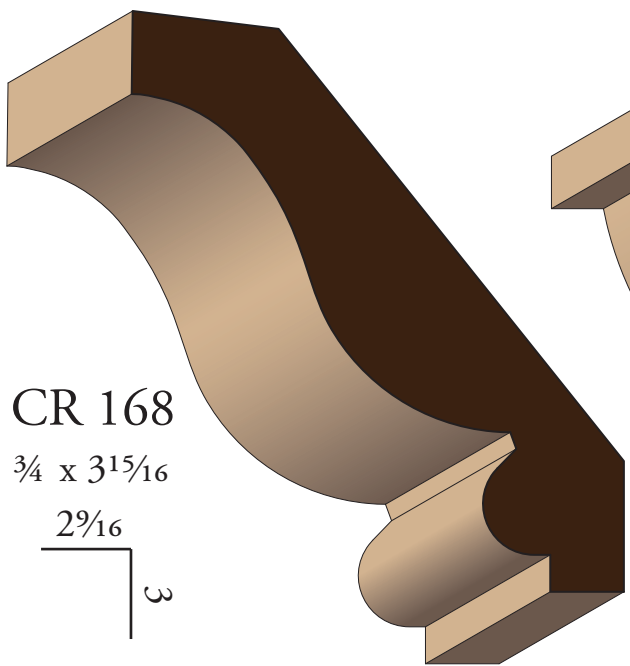
CR 317
 $1\frac{3}{16} \times 3\frac{5}{16}$

$2\frac{1}{16}$
 $2\frac{5}{8}$



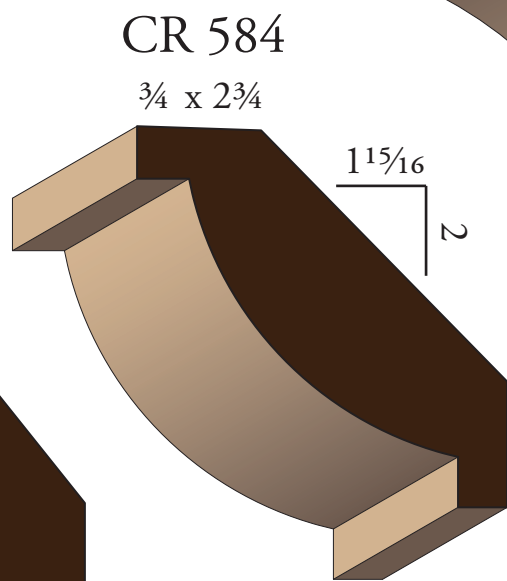
CR 428
 $1\frac{3}{16} \times 5\frac{13}{16}$

$3\frac{3}{8}$
 $4\frac{3}{4}$



CR 168
 $\frac{3}{4} \times 3\frac{15}{16}$

$2\frac{9}{16}$
 3



CR 584
 $\frac{3}{4} \times 2\frac{3}{4}$

$1\frac{15}{16}$
 2