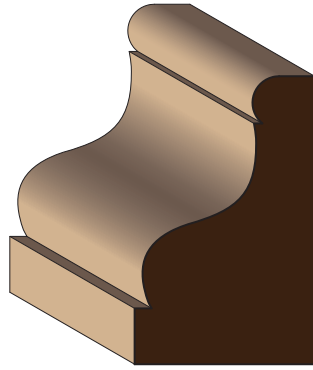


PA 48

$1\frac{5}{16} \times 1\frac{3}{4}$

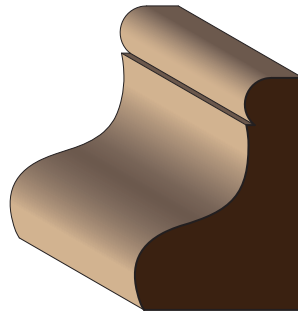
English 18<sup>th</sup> Century



PA 48A

$1\frac{5}{16} \times 1\frac{1}{2}$

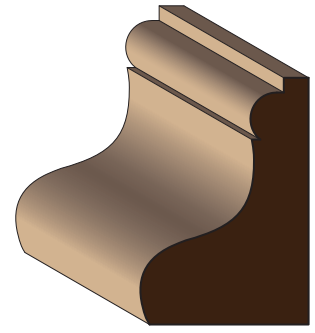
English 18<sup>th</sup> Century



PA 48B

$\frac{7}{8} \times 1\frac{3}{16}$

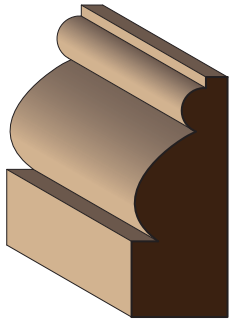
English 18<sup>th</sup> Century



PA 48C

$\frac{7}{8} \times 1\frac{1}{4}$

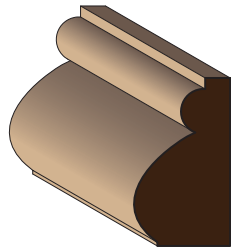
English 18<sup>th</sup> Century



PA 50

$\frac{1}{2} \times 1\frac{1}{4}$

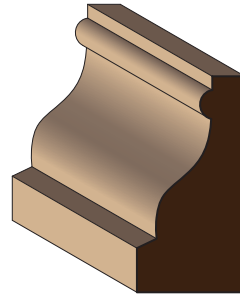
English 18<sup>th</sup> Cen.



PA 50A

$\frac{1}{2} \times \frac{7}{8}$

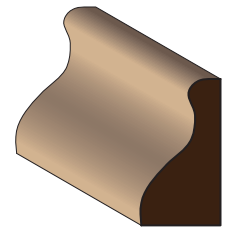
Eng. 18<sup>th</sup> Cen.



PA 50B

$\frac{9}{16} \times 1\frac{1}{8}$

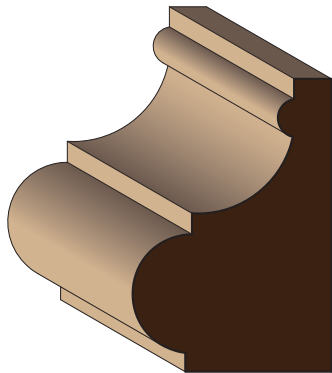
English 18<sup>th</sup> Cen.



PA 50C

$\frac{3}{8} \times \frac{3}{4}$

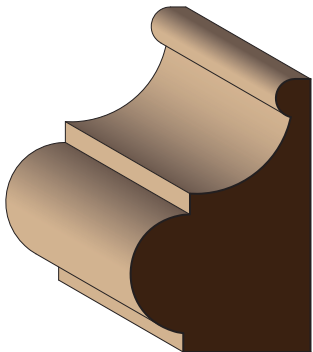
Eng. 18<sup>th</sup> Cen.



PA 45

$1 \times 1\frac{1}{2}$

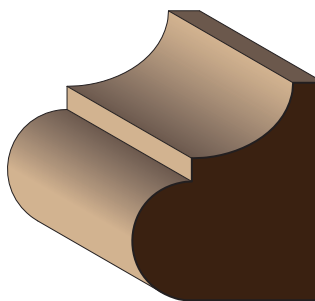
English 18<sup>th</sup> Century



PA 45A

$1\frac{5}{16} \times 1\frac{3}{8}$

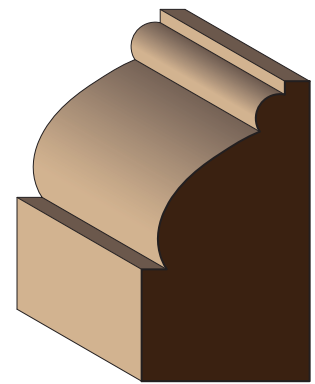
English 18<sup>th</sup> Century



PA 45B

$1 \times 1\frac{1}{8}$

English 18<sup>th</sup> Century



PA 49

$\frac{7}{8} \times 1\frac{1}{16}$

English 18<sup>th</sup> Century